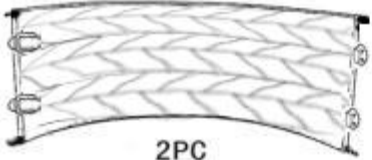
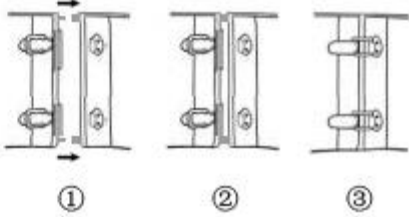



Assembly Instructions

PARTS	STEP
 <p>2PC</p>	 <p>① ② ③</p>
FINISH	
	

With proper care, your woven tree collar will look beautiful for years to come. Because we use genuine natural materials, there can be some flaking of layers over time that expose the natural color of the vines underneath. We have included a dark brown felt tip pen, so you can touch up any spots that flake off and return them to their dark brown color.

For storage, wrap your collar in paper to avoid light exposure and store in a cool dry place.

Made in China for Balsam Hill